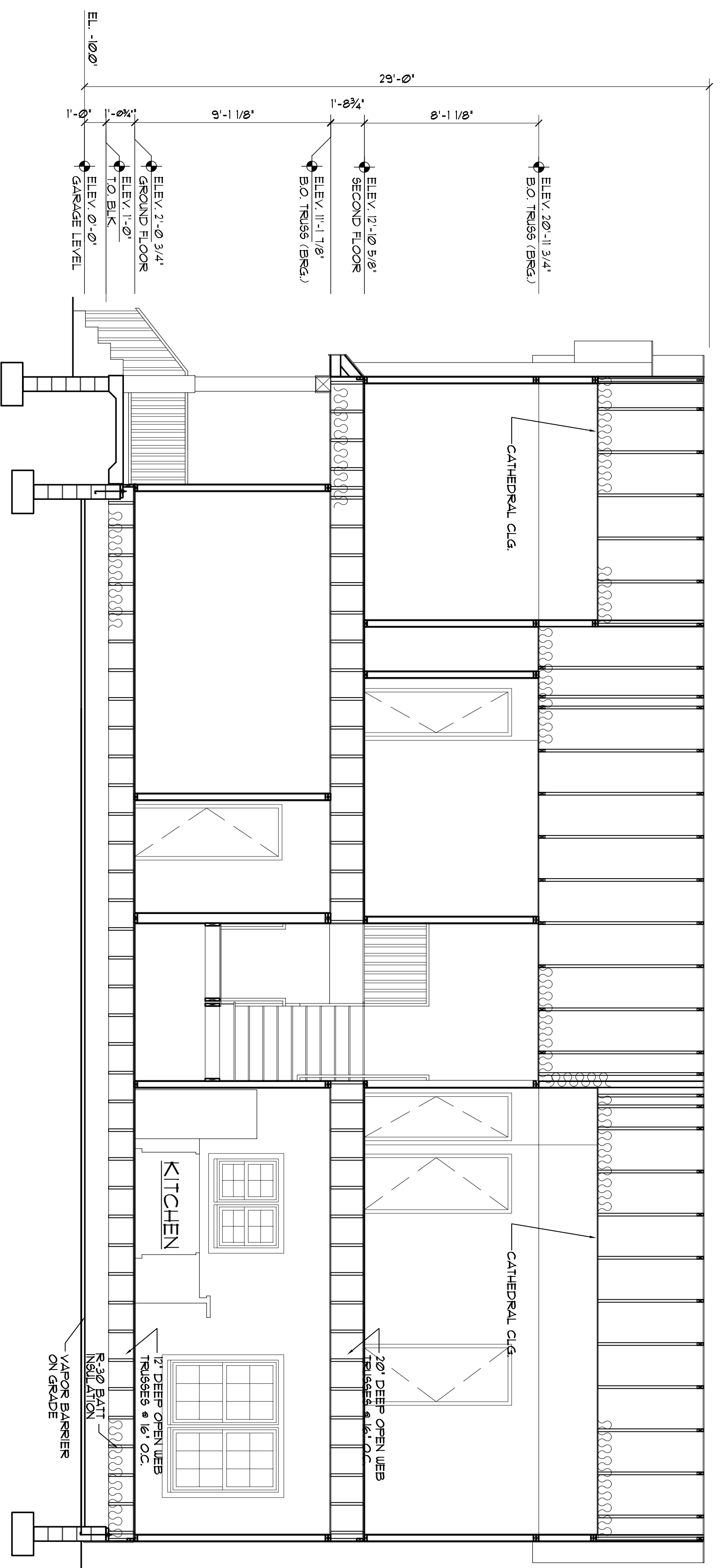
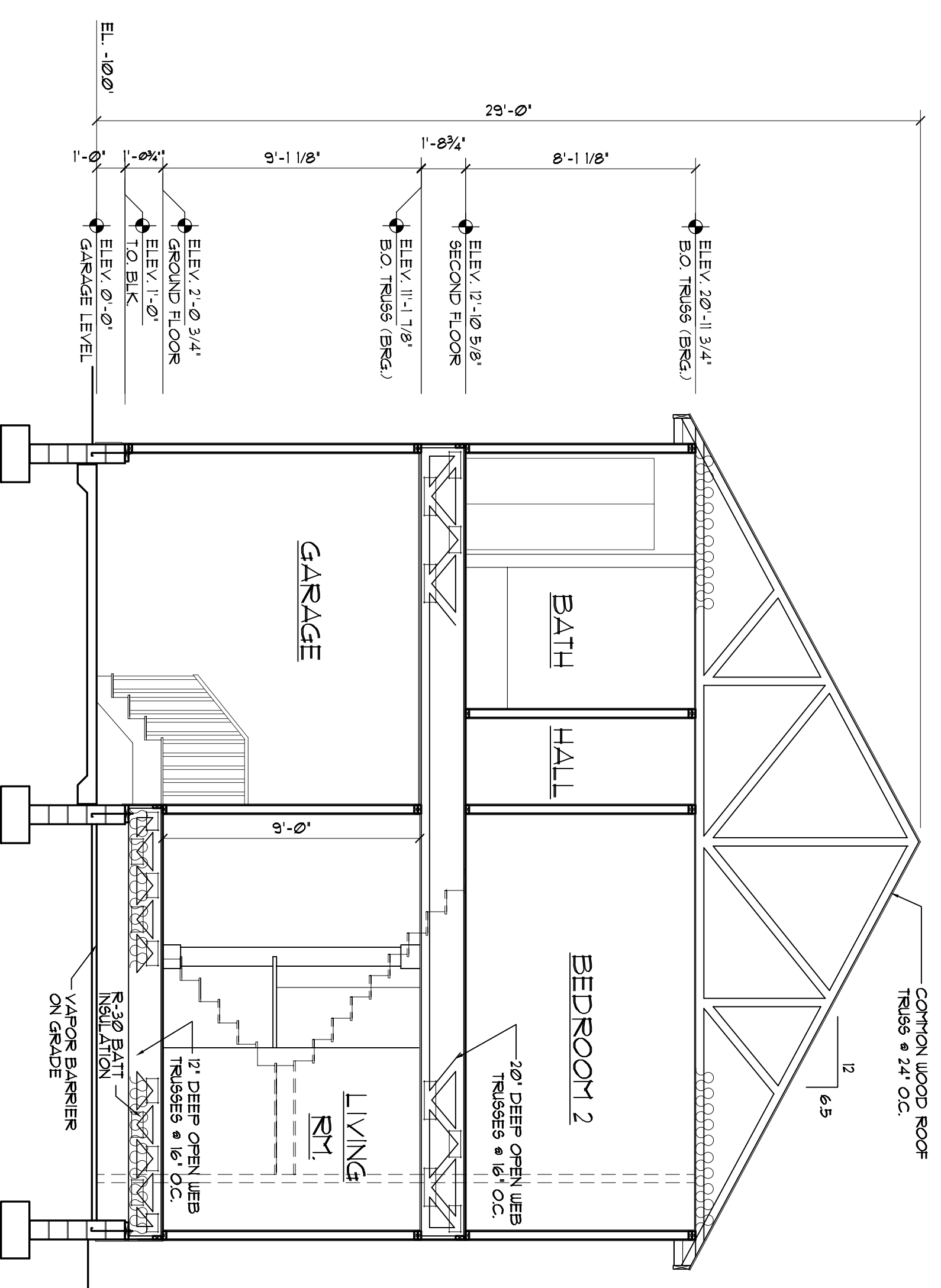


ROOM FINISH SCHEDULE

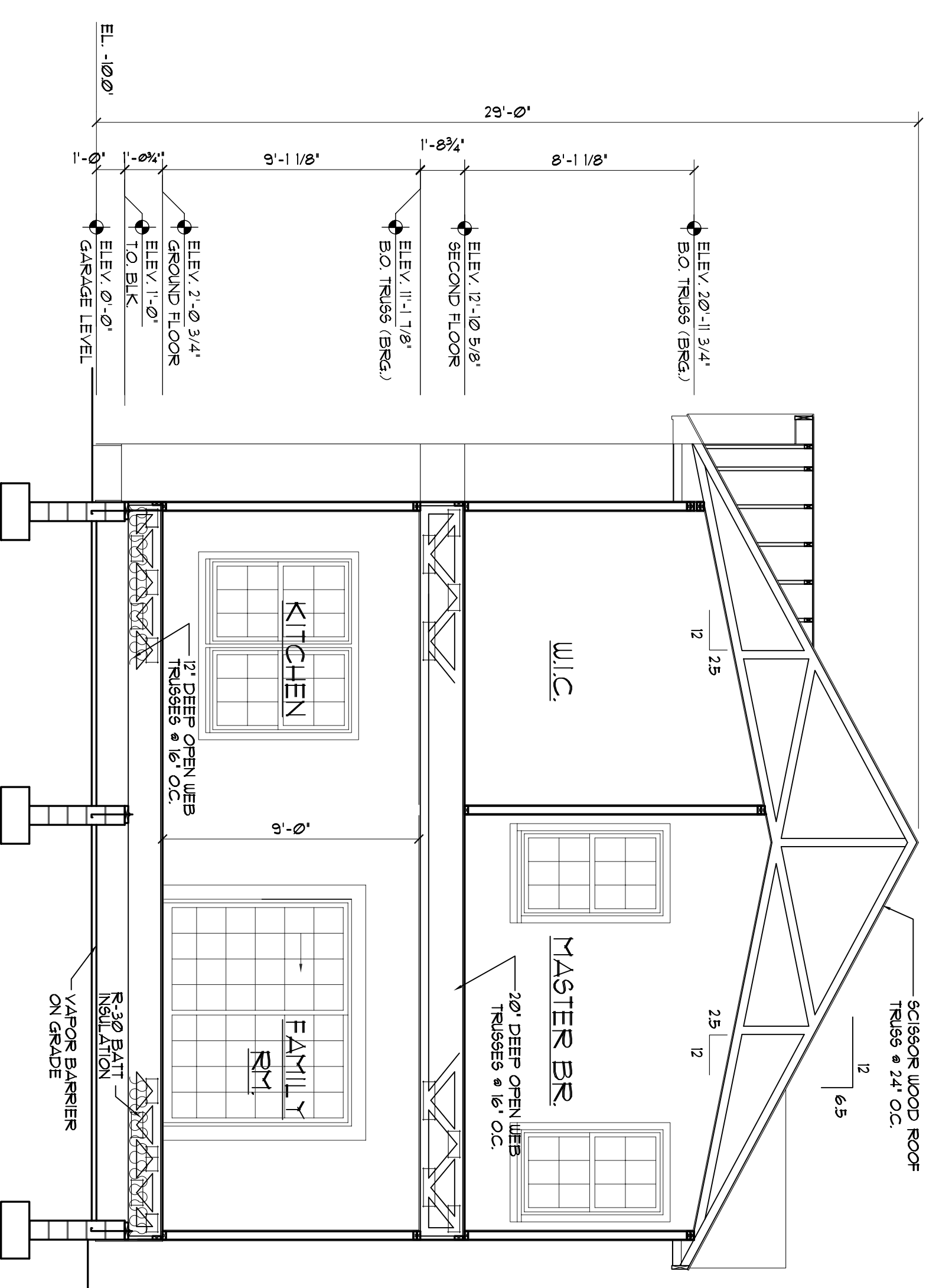
ROOM NUMBER	ROOM NAME	FLOOR	BASE	WALL	CEILING	REMARKS
1	PORCH					
2	GARAGE					
3	LIVING ROOM					
4	FOUNDER ROOM					
5	HALL					
6	COAT CLOSET					
7	CL. 1					
8	FAMILY ROOM					
9	DINING					
10	HALL					
11	MASTER BEDROOM					
12	WALK-IN CLOSET					
13	MASTER BATH					
14	LANDRY ROOM					
15	BED ROOM 4					
16	CL. 2					
17	CL. 3					
18	BED ROOM 3					
19	CL. 4					
20	BED ROOM 2					
21	CL. 5					



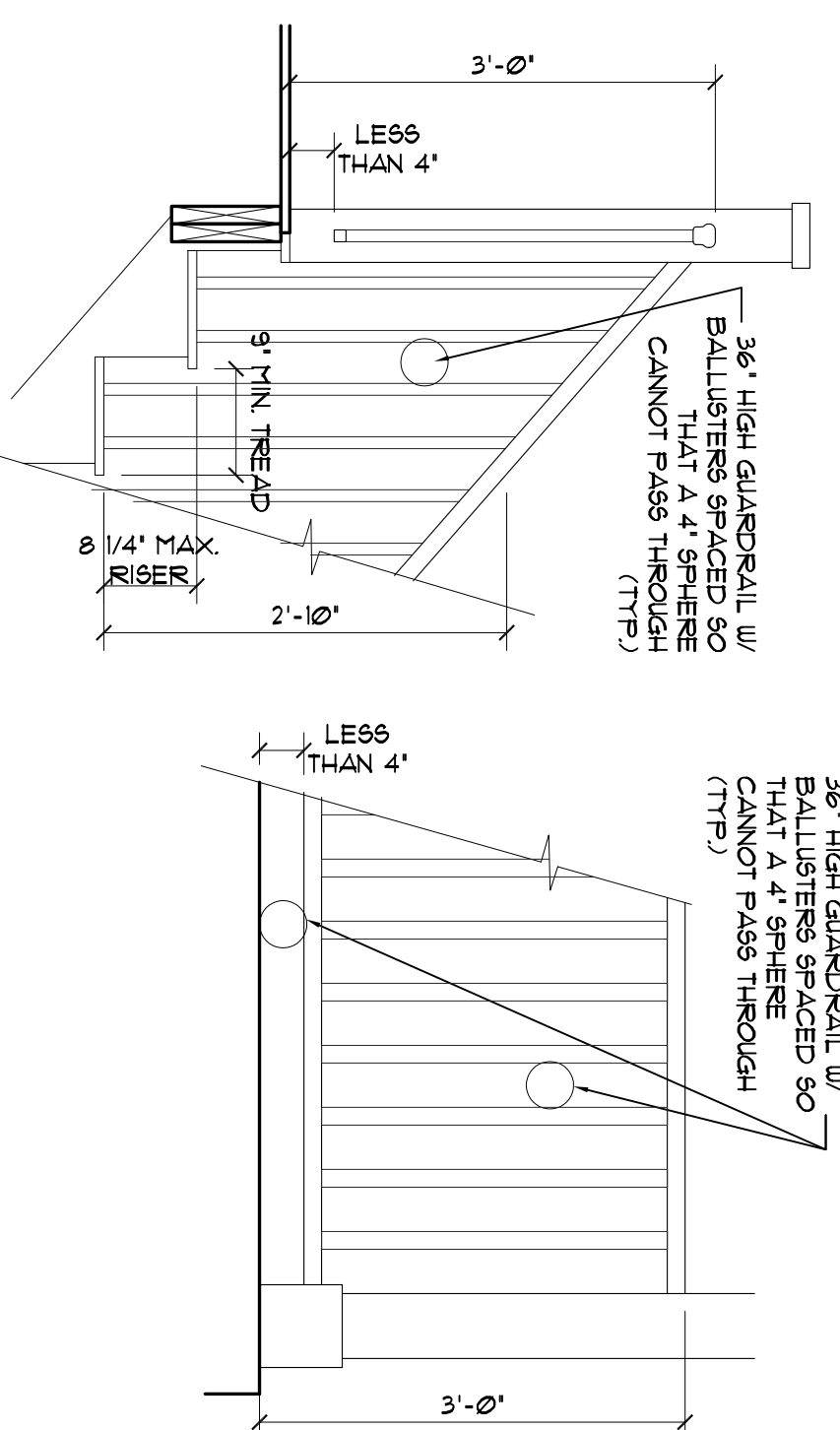
1 BUILDING SECTION
A-4 3/4" = 1'-0"



2 BUILDING SECTION
A-4 3/4" = 1'-0"

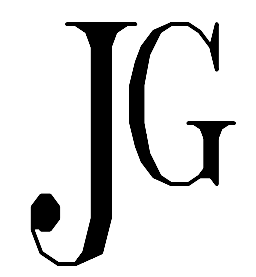


3 BUILDING SECTION
A-4 3/4" = 1'-0"



4 TYPICAL HANDRAIL DETAILS
A-4 3/4" = 1'-0"

GARRAMONE ARCHITECTS, LLC
ARCHITECTS / PLANNERS
51 GASKO ROAD
MAYS LANDING, NJ 08330
(609) 476-2977
(609) 476-4425 (FAX)



PROPOSED SINGLE FAMILY RESIDENCE FOR
M. W. MITCHELL, INC.
216 E. NASHVILLE AVE.
WILDWOOD CREST, N.J.

NO.	DATE	REVISIONS

DESIGNED BY: JG
SEAL: JG

DRAWN BY: DA

CHECKED: JG

APPROVED: JOSEPH GARRAMONE, R.A.
N.J. AI 08919

SHEET TITLE: BUILDING SECTIONS, DETAILS AND ROOM FINISH SCHEDULE

DATE: 8/18/08
PROJ. NO.: 0730
SCALE: AS NOTED

SHEET NO.: A-4